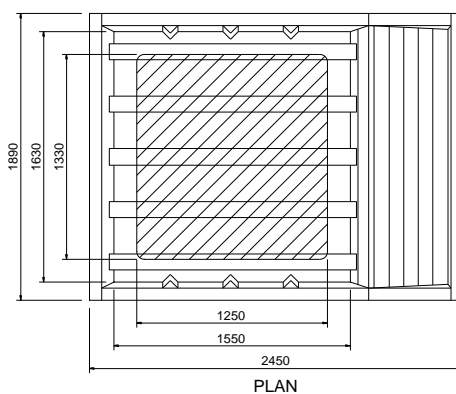
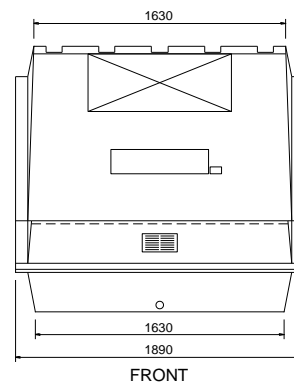
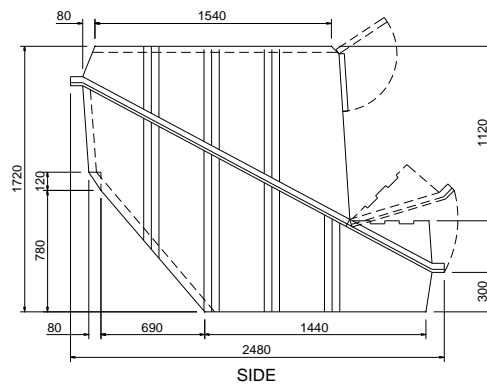


MODEL: **CLIVUS MULTRUM™ 40 (CM40)**
Overall Dimension: 2480 x 1890 x 1720 mm (Length x Width x Height)
Projected Capacity: 110 visits daily (average) or 40,000 visits annually
Description:

The CM40 is ideal for medium to high usage public facilities. Each CM40 can accommodate up to four toilet pedestals and two urinals.

Specifications:

Material	Low Density Polyethylene – LDPE
Waste Chamber	Stainless Steel Baffle Air Duct Polyethylene Rear Baffle Inspection/Access Doors
Finished Compost Chamber	1600 x 500 mm Access Lid
Liquid End Product Drain	All Required Fittings Absorption Trenching
Fasteners	Stainless Steel
Fittings	Corrosion Resistant Materials



TOILET CHUTE/S
PREFERABLY TO BE
LOCATED IN HATCHED AREA