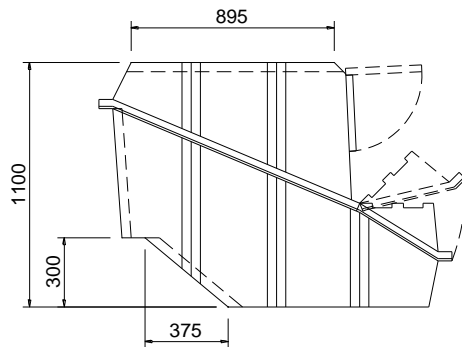


MODEL: **CLIVUS MULTRUM™ 10 (CM10)**
Overall Dimension: 1550 x 1560 x 1100 mm (Length x Width x Height)
Projected Capacity: 25 visits daily (average) or 10,000 visits annually
Description:

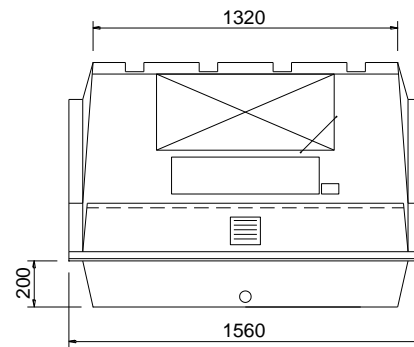
The CM10 is a wider version of the CM8, but designed to accommodate two pedestals.

Specifications:

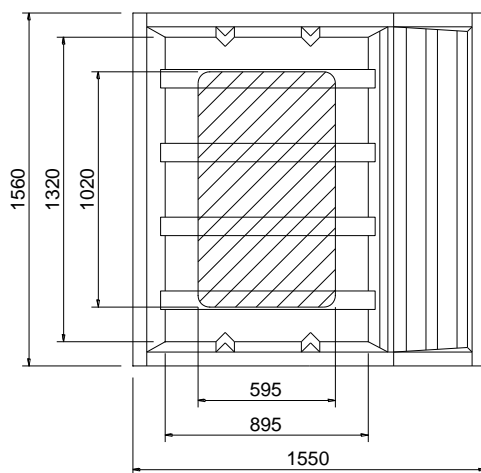
| | |
|---------------------------------|---|
| Material | Low Density Polyethylene – LDPE |
| Waste Chamber | Stainless Steel Baffle Air Duct Polyethylene Rear Baffle Inspection/Access Doors |
| Finished Compost Chamber | 1400 x 350 mm Access Lid |
| Liquid End Product Drain | All Required Fittings Absorption Trenching |
| Fasteners | Stainless Steel |
| Fittings | Corrosion Resistant Materials |



SIDE



FRONT



PLAN

TOILET CHUTE/S
PREFERABLY TO BE
LOCATED IN HATCHED AREA