

100MM DIAMETER FAN HOUSING

Fan in Housing complete with a high quality 120mm 12V 5W fan (24V 5W also available). The fan housing cap is supplied with an "O" ring and connector terminal.

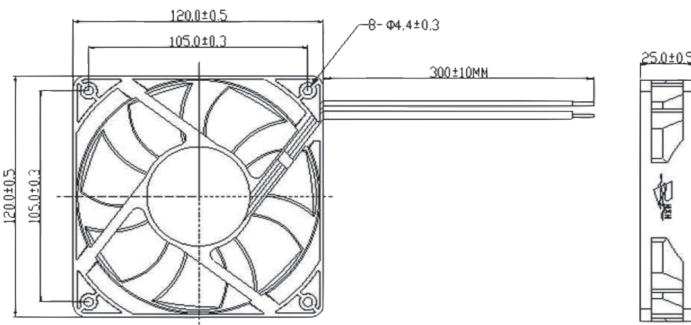


Features and Benefits

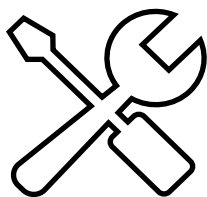
- Simple & flexible installation
- High airflow
- HPDE body
- Compact design & Safe operation
- Easily replaceable fan without dismantling the piping
- Designed to meet IP68
- Low power consumption

Specifications

Dimensions: 194mm x 147mm x 154mm
 Material: HDPE
 Fan type: 12 Volt 5 Watt / 24 Volt 5 Watt
 Finish: Black
 Warranty: 1 year for fan & 5 years for housing



AMPS	0.42
Noise	44.2 dBA
Life Expectancy(Ball bearing)	50000hrs min at 40 degree C/L10 relative humidity 65%+/-20%
Life Expectancy(Hydraulic bearing)	>40000hrs min at 40 degree C/L10 relative humidity 65%+/-20%
Airflow	103.34 CFM - 2.92 M3/min
Speed	3200RPM
Plastic Material	Black PBT(UL94V-0)
Protection	Polarity protection



Suitable for 100mm DWV PVC pipe Indoor & Outdoor use.

- Waterless toilet vent pipe
- Sewerage vent pipe
- Boat venting
- Computer room venting
- Confined space venting

Waterproof and Dustproof



VISIT OUR WEBSITE

1300 138 182

info@ecoflo.com.au

ecoflo
wastewater management
© 2021 Ecoflo Wastewater Management Pty Ltd